

JET

JFM-6

Mortiser

10000408M ~230V 50Hz

PARTS LIST

JPW (TOOL) AG

Tämperlistrasse 5

CH-8117 Fällanden

Switzerland

Phone +41 44 806 47 48

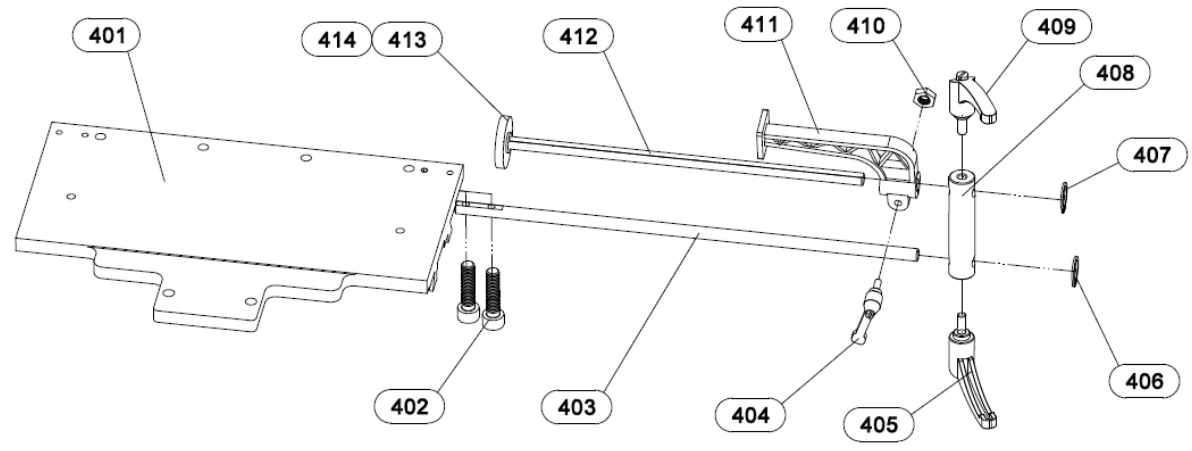
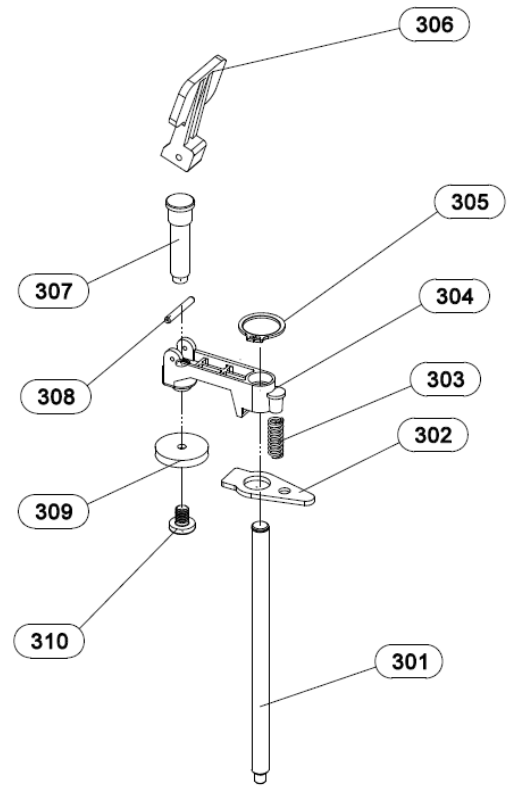
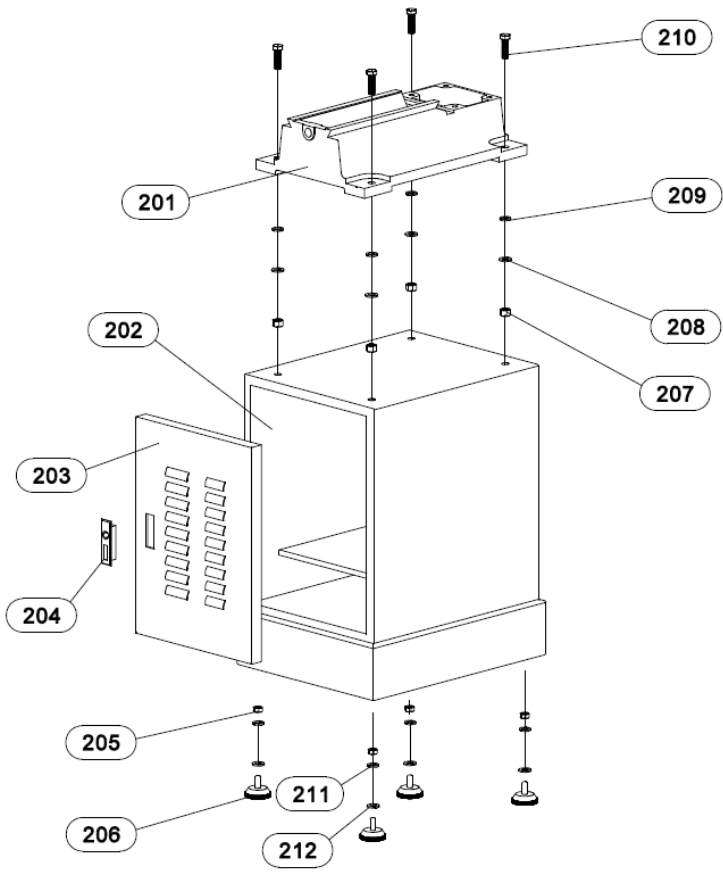
Fax +41 44 806 47 58

www.jettools.com

P-10000408M

2016-11

Parts Breakdown for JFM-6 Mortiser



Parts List for JFM-6 Mortiser

Index No.	Part No.	Description	Size	Qty.
	JFM6-100	Machine Body Assembly Complete(#101 thru 118)		1
1	JFM6-001	Base		1
2	JFM6-002	Middle Base		1
3	JFM6-003	Bib		1
4	JFM6-004	Cap Screw	M6x35	1
5	JFM6-005	Hex Nut	M6	3
6	JFM6-006	Flat Washer	10	4
7	JFM6-007	Cap hex Bolt	M10x40	4
8	JFM6-008	Spring Washer	10	4
9	JFM6-009	Column		1
10	JFM6-010	Threaded Hex Rod		1
11	JFM6-011	Gas Spring		1
12	JFM6-012	Set Screw	M6x35	3
13	JFM6-013	Hex Nut	M6	3
14	JFM6-014	Gib		1
15	JFM6-015	Threaded Hex Rod		1
16	JFM6-016	Rack		1
17	JFM6-017	Flat Head Screw	M6x10	4
18	JFM6-018	Fence		1
19	JFM6-019	Flat Washer	10	4
20	JFM6-020	Lock Washer	10	4
21	JFM6-021	Hex Bolt	M10x25	4
22	JFM6-022	Bracket		1
23	JFM6-023	Flat Washer	6	2
24	JFM6-024	Cap Screw	M6x15	2
25	JFM6-025	Set Screw	M6x10	2
26	JFM6-026	Cap Screw	M6x35	3
27	JFM6-027	Hex Nut	M10	1
28	JFM6-028	Flat Washer	10	1
29	JFM6-029	Depth Stop Mounting Rod		1
30	JFM6-030	Lower Depth Stop Handle		1
31	JFM6-031	Depth Stop Rod Collar		1
32	JFM6-032	Depth Stop Rod		1
33	JFM6-033	Depth Stop Rod Collar		1
34	JFM6-034	Hex Nut	M10	1
35	JFM6-035	Flat Washer	10	1
36	JFM6-036	Depth Stop Mounting Rod		1
37	JFM6-037	Set Screw	M6x15	1
38	JFM6-038	Upper Depth Stop Handle		1
39	JFM6-039	Flat Washer	6	4
40	JFM6-040	Hex Bolt	M8x25	1
41	JFM6-041	Roll Pin	6x35	1
42	JFM6-042	Set Screw	M6x15	1
43	JFM6-043	Cap Screw	M6x15	2
44	JFM6-044	Flat Washer	6	2
45	JFM6-045	Bracket		1
46	JFM6-046	Hex Nut	M12	1
47	JFM6-047	Flat Washer	12	1
48	JFM6-048	Compression Spring		1
49	JFM6-049	Flat Washer	14	1
50	JFM6-050	Handle Clutch		1
51	JFM6-051	Downfeed Handle		1
52	JFM6-052	Motor	230V 50Hz	1
	JFM6-052MF	Motor Fan (not shown)		1
	JFM6-052SCE	Starting Capacitor(not shown)	40uF, 450V	1

Parts List for JFM-6 Mortiser

Index No.	Part No.	Description	Size	Qty.
	JFM6-052MC	Motor Cover (not shown)		1
53	JFM6-053	Handle Grip		1
54	JFM6-054	Power Cord		1
55	JFM6-055	Strain Relief Bushing		1
56	JFM6-056JB	Junction Box (not shown)		1
	JFM6-056JBC	Junction Box Cover(not shown)		1
57	JFM6-057	Switch	230V 50Hz	1
58	JFM6-058	Cap Screw	M5x25	1
59	JFM6-059	Socket Head Cap Screw	M6x25	4
60	JFM6-060	Chuck B16	3-16mm	1
61	JFM6-061	Cap Screw	M6x10	1
62	JFM6-062	Cover		1
63	JFM6-063	Gear		1
64	JFM6-064	Shaft		1
65	JFM6-065	Headstock Clutch		1
66	JFM6-066	Compression Spring		1
67	JFM6-067	Special Screw	M10x15	1
68	JFM6-068	Headstock		1
69	JFM6-069	Table Sop Handle		1
70	JFM6-070	Gear Shaft Bolt		1
71	JFM6-071	Table Stop Handle		1
72	JFM6-072	Table Stop Collar		1
73	JFM6-073	Set Screw	M6x18	2
74	JFM6-074	Table Stop Mounting Rod		1
75	JFM6-075	Table Stop Collar		1
76	JFM6-076	Cap Screw	M6x25	1
77	JFM6-077	Bushing 3/4"		1
78	JFM6-078	Mortising Chisel And Bit 5/8"		1
79	JFM6-079	Roll Pin	4x25	1
80	JFM6-080	Clamp Plate		1
81	JFM6-081	Compression Spring		1
82	JFM6-082	Spring Cover		1
83	JFM6-083	Handle		1
84	JFM6-084	Cover		1
85	JFM6-085	Cap Screw	M5x10	2
86	JFM6-086	Cover Base		1
87	JFM6-087	Ext Retaining Ring 20mm	20	1
88	JFM6-088	Vise Clamping Handle		1
89	JFM6-089	Shaft		1
90	JFM6-090	Clamping Block		1
91	JFM6-091	Hex Nut	M8	1
92	JFM6-092	Hex Bolt	M8x25	1
93	JFM6-093	Locking Shaft		1
94	JFM6-094	Handle		1
95	JFM6-095	Wood Table		1
96	JFM6-096	Flat Head Screw	M8x25	2
97	JFM6-097	Table		1
98	JFM6-098	Flat Washer	10	2
99	JFM6-099	Hex Bolt	M10x25	2
100	JFM6-100	Rack		1
101	JFM6-101	Flat Head Screw	M6x10	3
102	JFM6-102	Gear		1
103	JFM6-103	Gib		1
104	JFM6-104	Hex Nut	M6	4
105	JFM6-105	Set Screw	M6x10	4
106	JFM6-106	Roll Pin	5x30	1

Parts List for JFM-6 Mortiser

Index No.	Part No.	Description	Size	Qty.
107	JFM6-107	Gear Shaft		1
108	JFM6-108	Tap Screw	St4.2x13	2
109	JFM6-109	Handle Wheel		2
110	JFM6-110	Roll Pin	5x30	1
111	JFM6-111	Handle		2
112	JFM6-112	Roll Pin	5x30	1
113	JFM6-113	Collar		1
114	JFM6-114	Lead Screw		1
115	JFM6-115	LEAD SCREW BRACKET		1
116	JFM6-116	Flat Washer	10	2
117	JFM6-117	Hex Cap Bolt	M10x25	2
118	JFM6-118	Hex Cap Bolt	M8x25	1
	JFM6-200	Base Assembly (#202 thru 206, #211# 212)		1
201	JFM6-001	Base		1
202	JFM6-202	Stand		1
203	JFM6-203	Door		1
204	JFM6-204	Door Latch		1
205	JFM6-205	Hex Nut	M10	4
206	JFM6-206	Stand Base		4
207	JFM6-207	Hex Nut	M12	4
208	JFM6-208	Flat Washer	12	4
209	JFM6-209	Lock Washer	12	4
210	JFM6-210	Hex Cap Bolt	M12x40	4
211	JFM6-211	Flat Washer	10	4
212	JFM6-212	Lock Washer	10	4
	JFM6-300	Table Clamp Assembly(#301 thru 310)		1
301	JFM6-301	Shaft		1
302	JFM6-302	Clamp Toggle		1
303	JFM6-303	Compression Spring		1
304	JFM6-304	Clamping Body		1
305	JFM6-305	Ext Retaining Ring 16mm	16mm	1
306	JFM6-306	Locking Handle		1
307	JFM6-307	Locking Rod		1
308	JFM6-308	Roll Pin 3.5 X 28	3.5x28	1
309	JFM6-309	Clamp Face		1
310	JFM6-310	Threaded Pin		1
	JFM6-400	Work Stop Assembly(#402 Thru 414)		1
401	JFM6-097	Table		1
402	JFM6-402	Cap Screw	M6x25	2
403	JFM6-403	Rear Length Setting Rod		1
404	JFM6-404	Threaded Handle		1
405	JFM6-405	Threaded Handle		1
406	JFM6-406	Ext Retaining Ring	12	1
407	JFM6-407	Ext Retaining Ring	12	1
408	JFM6-408	Length Setting Block		1
409	JFM6-409	Threaded Handle		1
410	JFM6-410	Hex Nut	M6	1
411	JFM6-411	Stop Disc		1
412	JFM6-412	Front Stop Rod		1
413	JFM6-413	Clamp Face		1
414	JFM6-414	Threaded Pin		1

Parts List for JFM-6 Mortiser

Index No.	Part No.	Description	Size	Qty.
	JET-92	JET LOGO (not shown)	92x38	1
	JFM6-501	JET Warning Label (not shown)		1
	JFM6-502	JET Stripe (not shown)		1
	JFM6-503	JET ID Label (not shown)		1
	JFM6-504	JET Motor Label (not shown)		1

Wiring Diagram for JFM-6 Mortiser

10000408M..... ~ 230V, 50Hz

	colour of strands	Litzenfarben	couleur des cordons
BK	black	schwarz	noir
WH	white	weiß	blanc
BU	blue	blau	bleu
RD	red	rot	rouge
BN	brown	braun	brun
GY	grey	grau	gris
GNYE	green-yellow	grün-gelb	vert-jaune

	meaning of symbol	Bedeutung der Zeichen	interprétation
M	motor	Motor	moteur
S	switch	Schalter	interrupteur
C1	Condenser of running	Kondensator	condensateur
C2	Condenser of Starting	Kondensator	condensateur
n	centrifugal switch	Fliehkraftschalter	déclencheur centrifuge
OL	overload cut-off	Überlastschuttschalter	déclencheur surcharge
LS	limit switch	Positionsendschalter	micro
SB	E-stop	Not-Aus Taster	arret d'urgence

